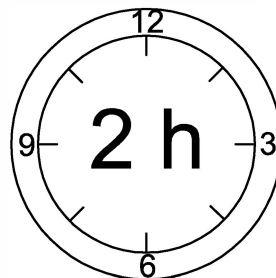
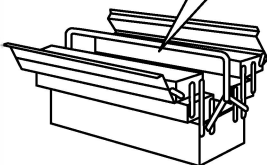
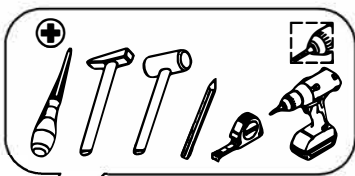
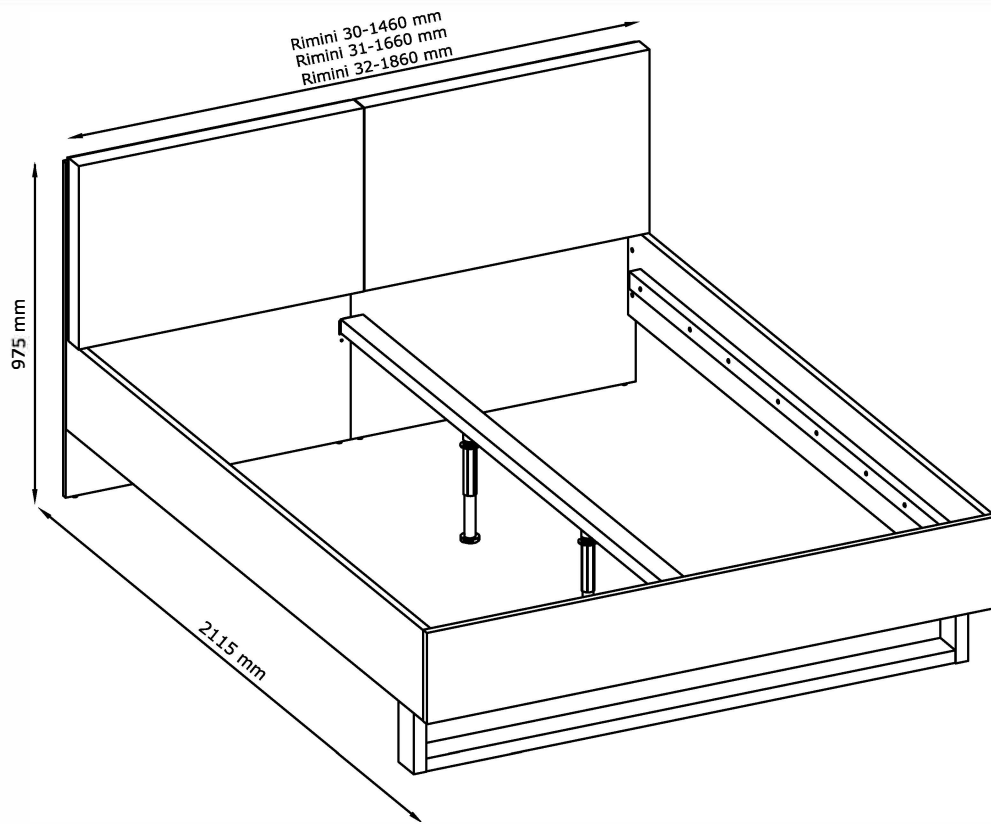
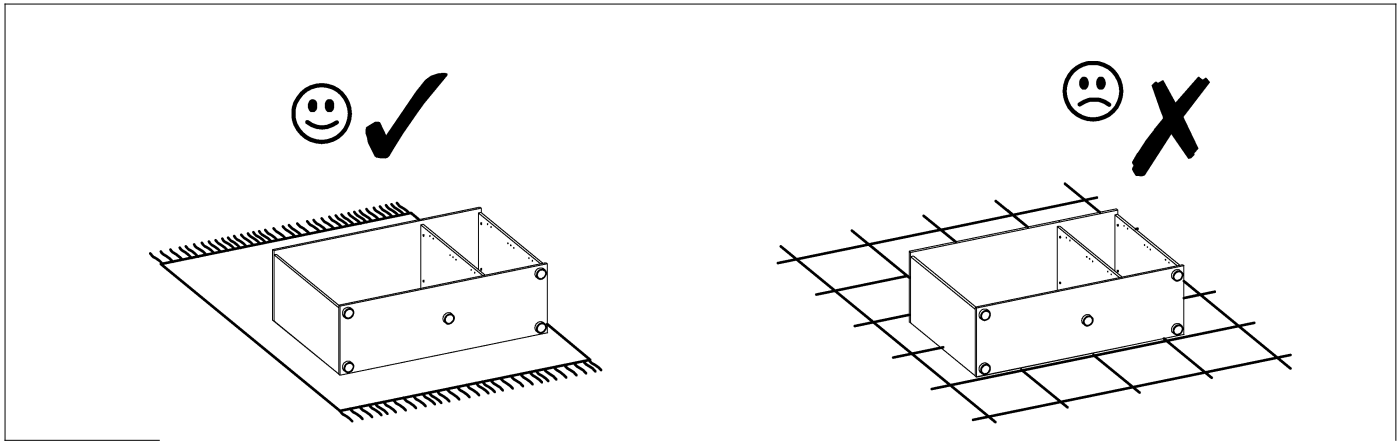
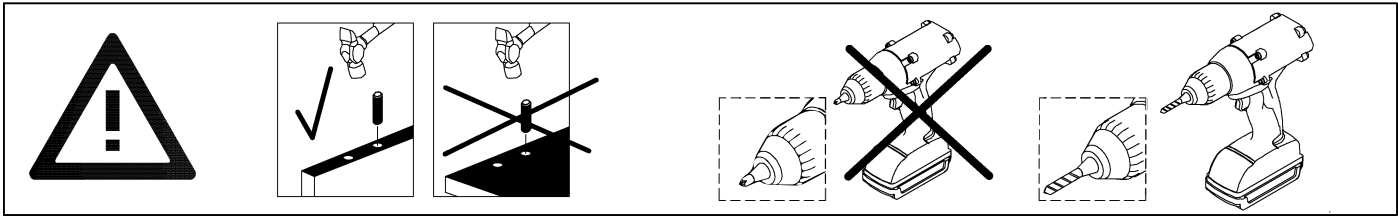
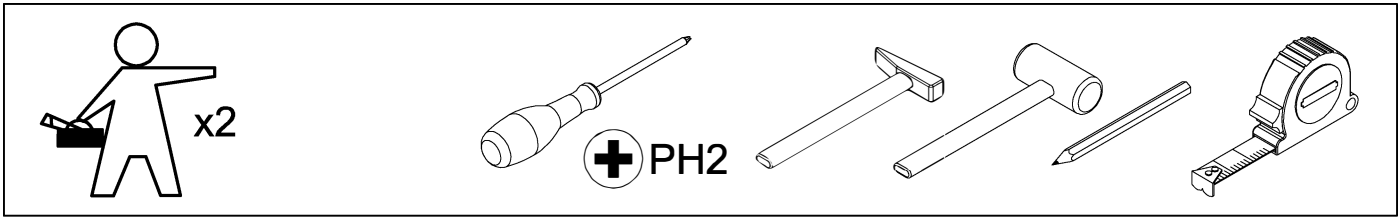

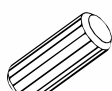

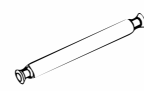




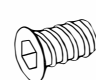
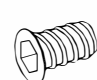


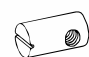








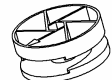

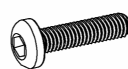

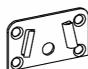
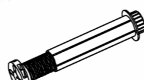

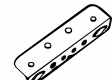


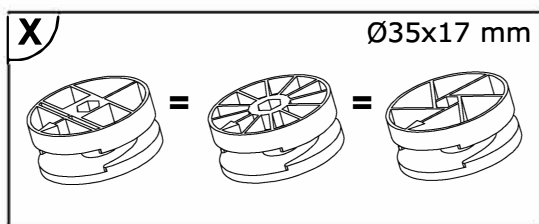
# 30/31/32

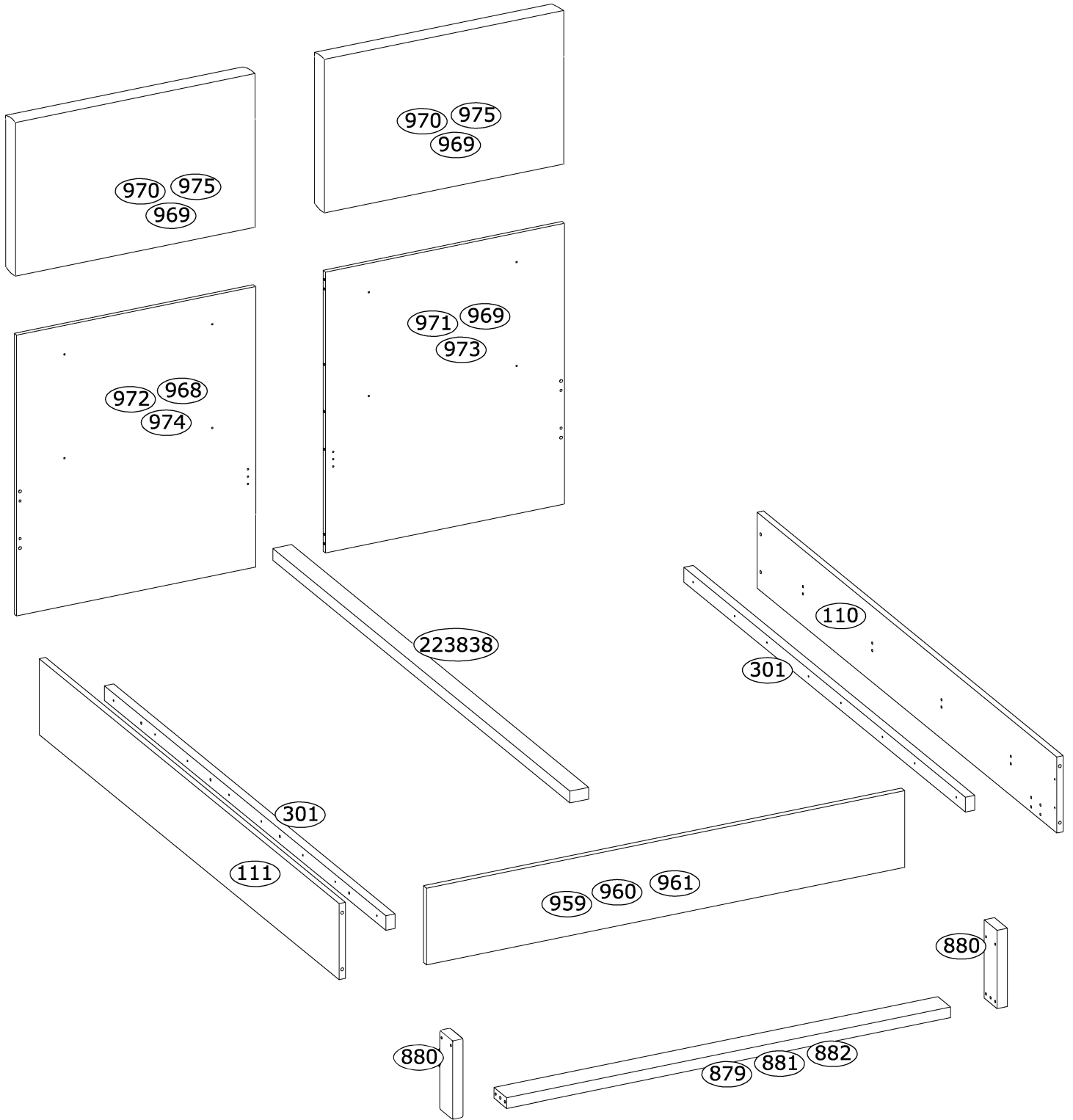




0  
10  
20  
30  
40  
50  
60  
70  
80  
90  
100  
110  
120  
130  
140  
150  
160  
170  
180  
190  
200

<b>A</b> Ø8x30 mm  x12 3989	<b>B</b> Ø10x35 mm  x8 3992	<b>C</b> Ø8x50 mm  x8 3991	<b>D</b> Ø7,0x59 mm  x3 4058	<b>E</b> Ø15x12 mm  x6 3996
<b>F</b> 8 mm  x1 226502	<b>G</b> 6 mm  x1 3985	<b>H</b> 4 mm  x1 3984	<b>I</b> M6/17  x4 168986	<b>J</b> M8/17  x2 0000
<b>K</b>  x7 70313	<b>L</b> M6 L-55  x4 146787	<b>M</b> M6,0x16,0 mm  x4 3939	<b>N</b> Ø4,0x35 mm  x8 3895	<b>O</b> Ø4,0x45 mm  x16 3897
<b>P</b> Ø4,0x50 mm  x2 81980	<b>R</b> Ø6,3x13 mm  x8 3879	<b>S</b> Ø3,5x20 mm  x6 3919	<b>T</b> Ø6,3x13 mm  x8 3880	<b>U</b> Ø3,5x16 mm  x8 3918
<b>W</b> Ø3,0x20 mm  x4 3886	<b>X</b> Ø35x17 mm  x2 233865	<b>Y</b> M8x39,5 mm  x2 233869	<b>Z</b> M6x45,0 mm  x4 205079	<b>A1</b> 69x39x32 mm  x2 4077
<b>B1</b> 69x40x7 mm  x2 4009	<b>C1</b>  x2 4012	<b>D1</b> 69x40x7 mm  x2 IN01004	<b>E1</b> 128x30x23 mm  x2 210474	

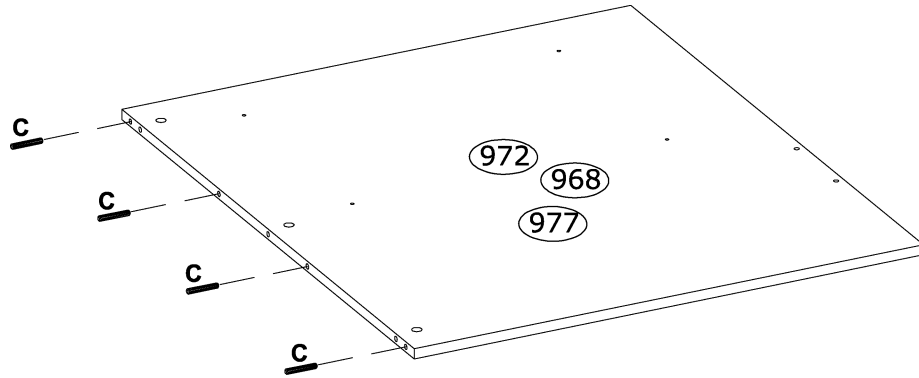
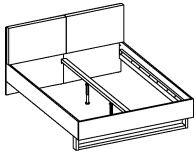




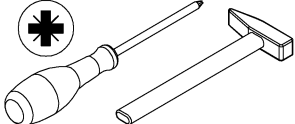



(879) (959) Rimini 30 (969) (968) (969)	(881) (960) Rimini 31 (970) (972) (971)	(882) (961) Rimini 32 (973) (974) (975)
---	---	---

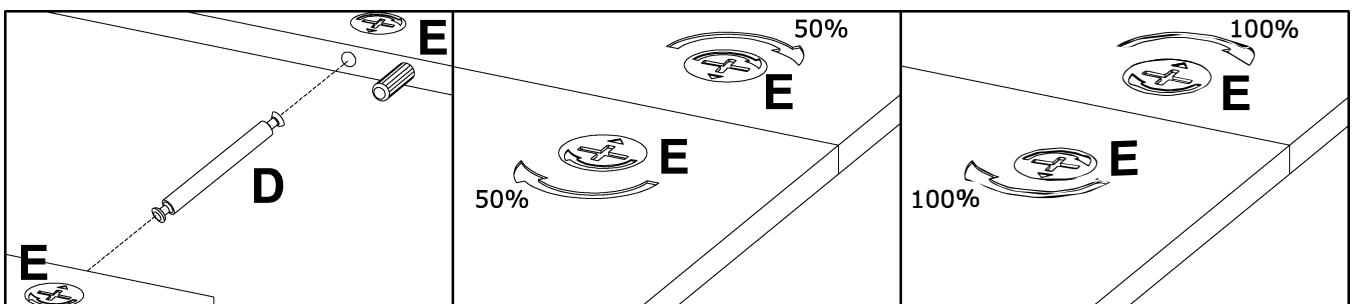
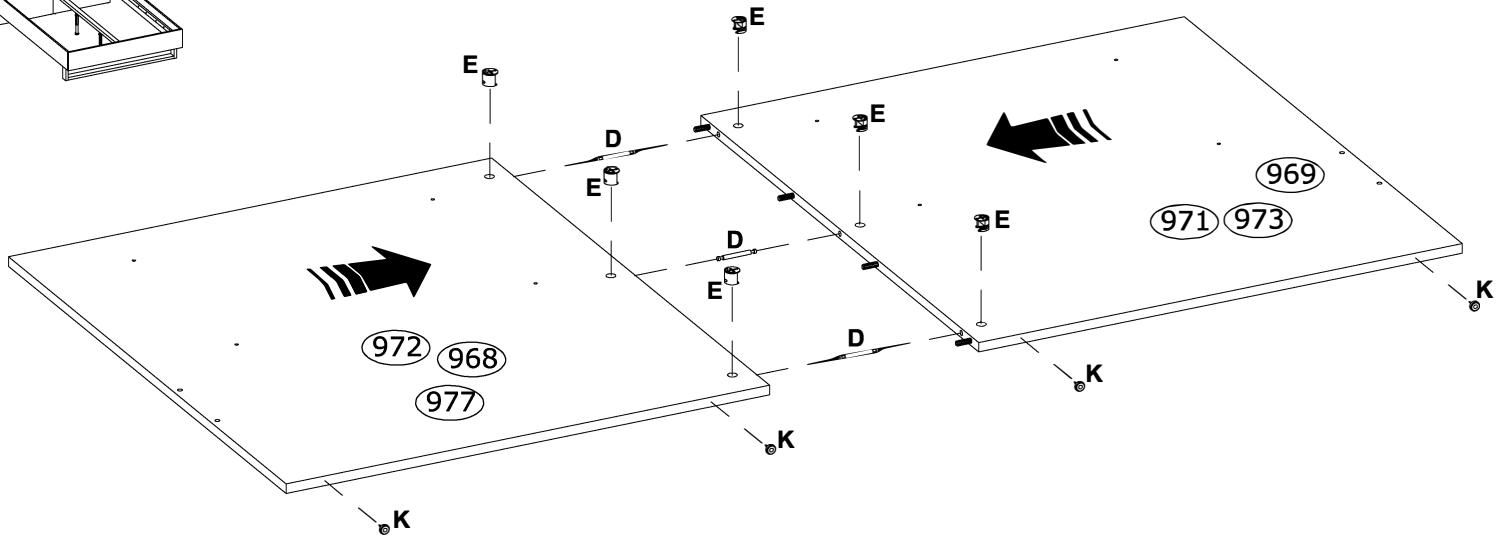
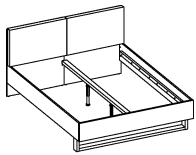
1

<b>C</b>	$\varnothing 8 \times 50$ mm		<b>x4</b> 3991	
----------	------------------------------	---	-------------------	--

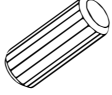
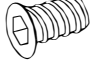

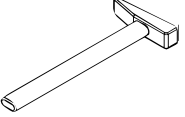


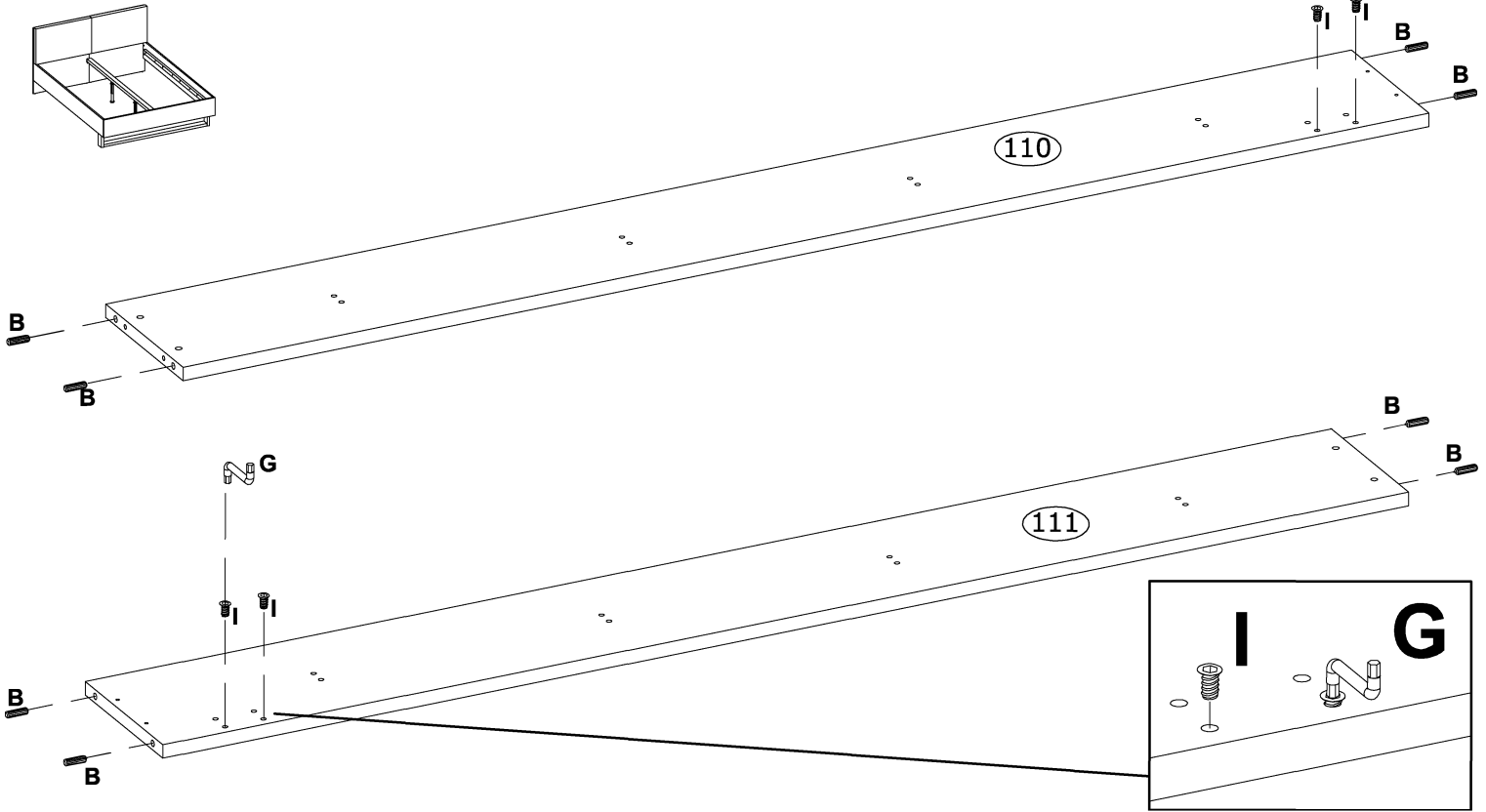
2

<b>D</b>	$\varnothing 7,0 \times 59$ mm	<b>E</b>	$\varnothing 15 \times 12$ mm	<b>K</b>	
	<b>x3</b> 4058		<b>x6</b> 3996		<b>x4</b> 70313


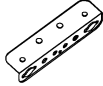
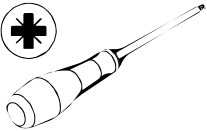


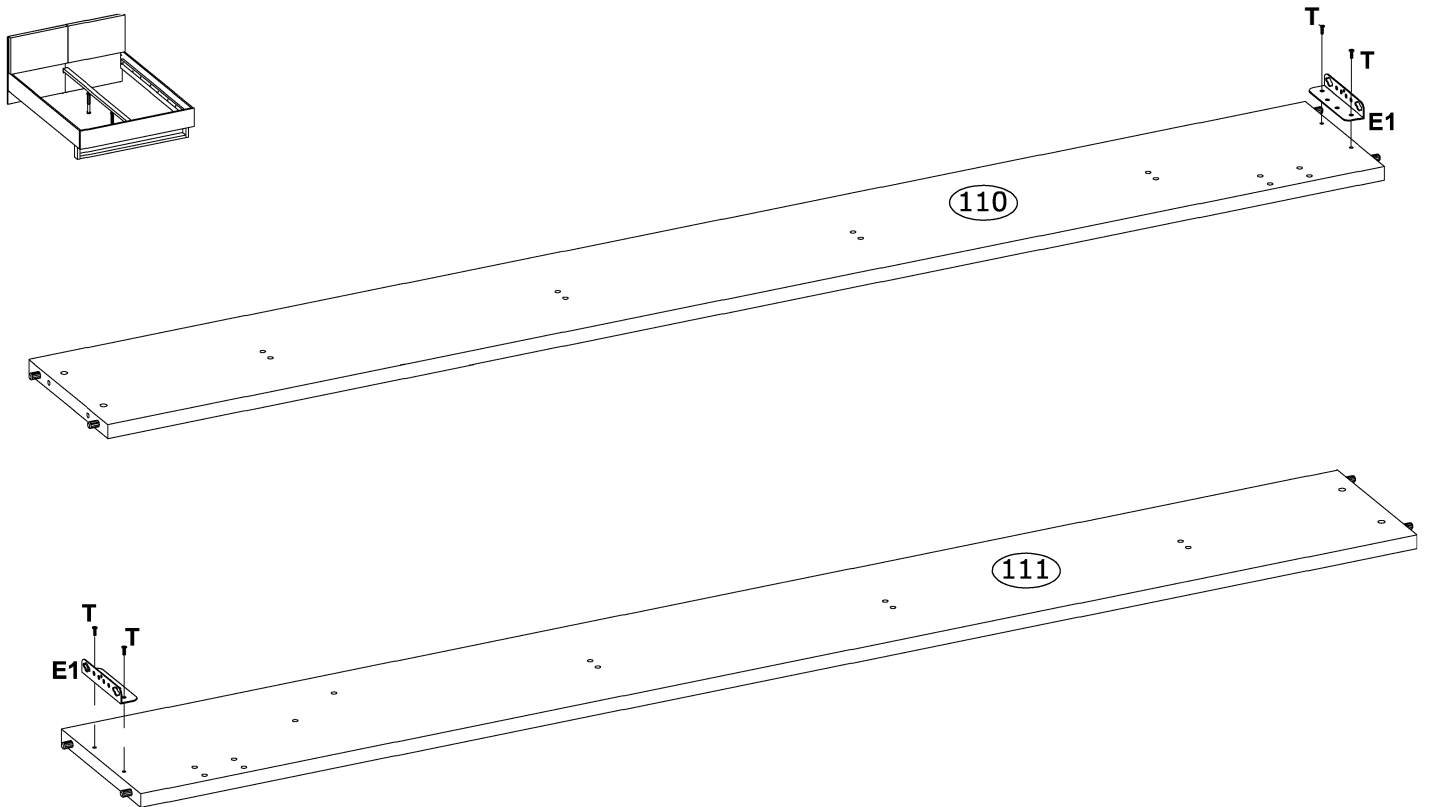
3

<b>B</b> Ø10x35 mm  x8 3992	<b>I</b> M6/17  x4 168986	<b>G</b> 6 mm  x1 3985	
--	--	---	--


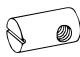



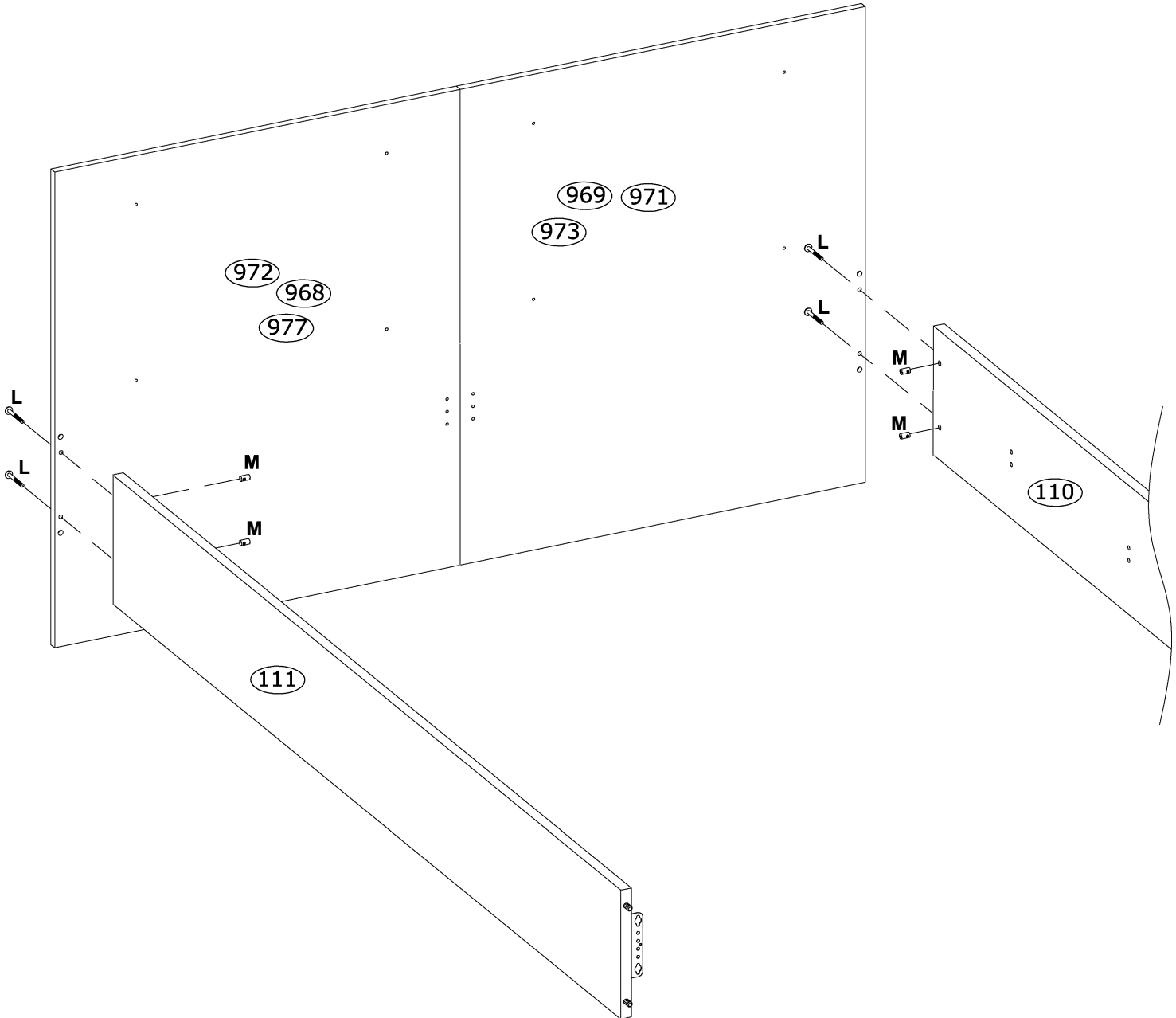
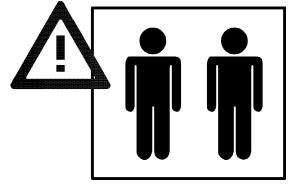
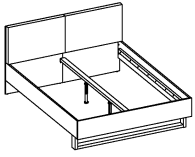
4

<b>T</b> Ø6,3x13 mm  x4 3880	<b>E1</b> 128x30x23 mm  x2 210474	
---	--	---



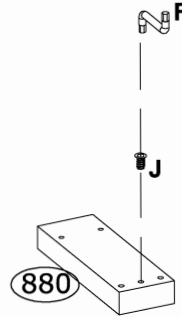
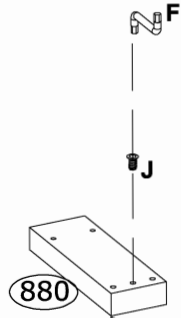
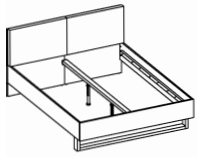
5

<b>L</b>  M6 L-55 x4 146787	<b>M</b>  M6,0x16,0 mm x4 3939	<b>H</b>  4 mm x1 3984
---	---	--





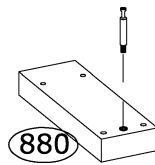
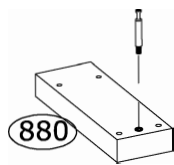
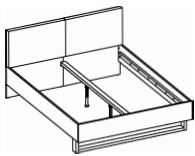
6

<b>J</b>  M8/17 x2 0000	<b>F</b>  8 mm x1 226502
--	--



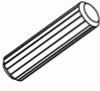

7

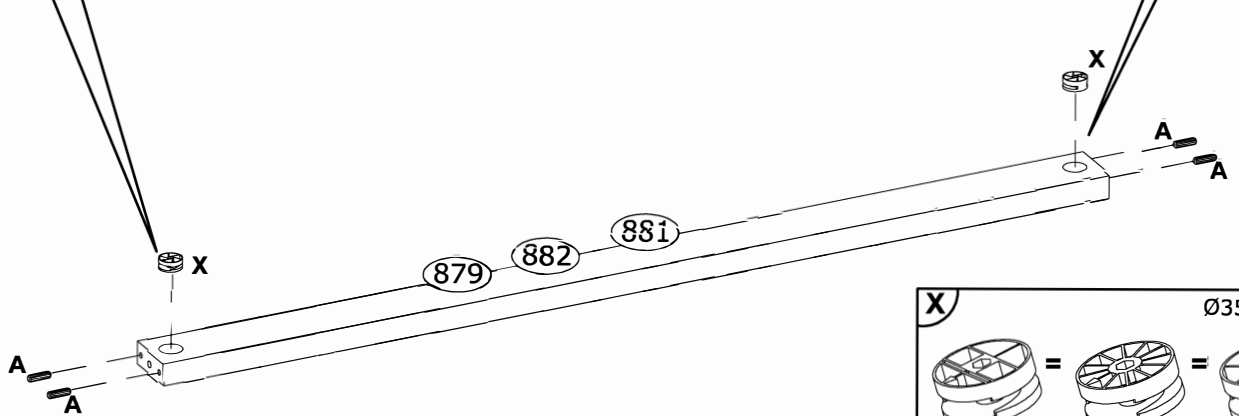
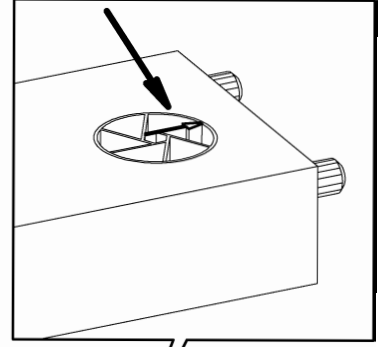
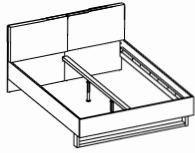
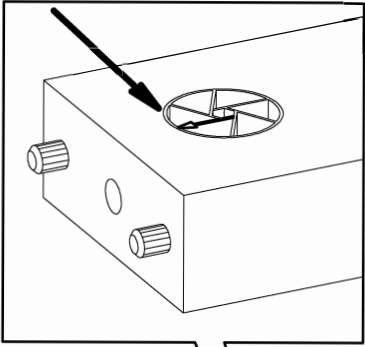
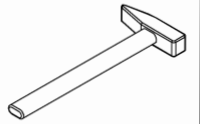
<b>Y</b>  M8x39,5 mm x2 233869	
---	---

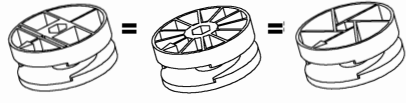





8

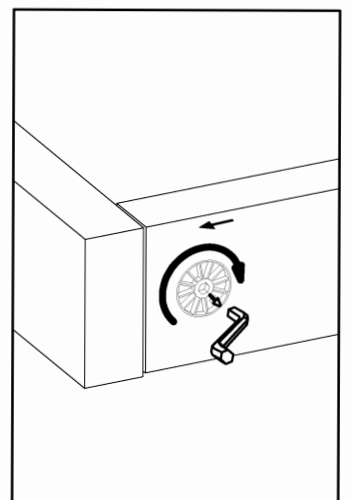
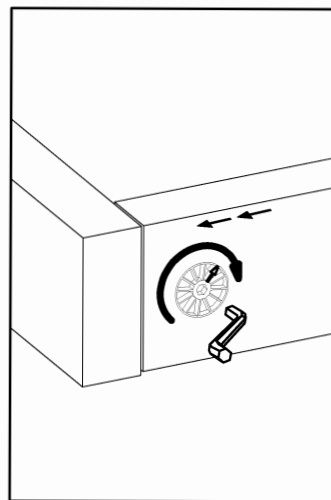
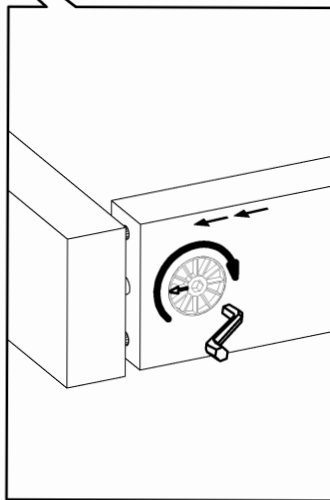
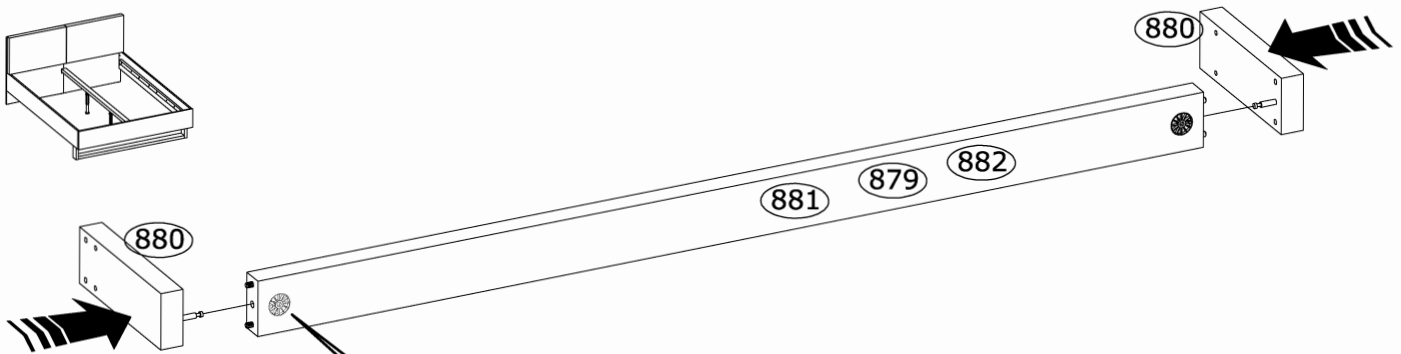
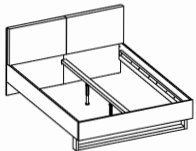
<b>A</b>	Ø8x30 mm	<b>X</b>	Ø35x17 mm
	x4 3989		x2 233865




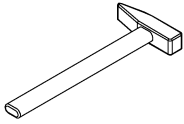
<b>X</b>	Ø35x17 mm
	

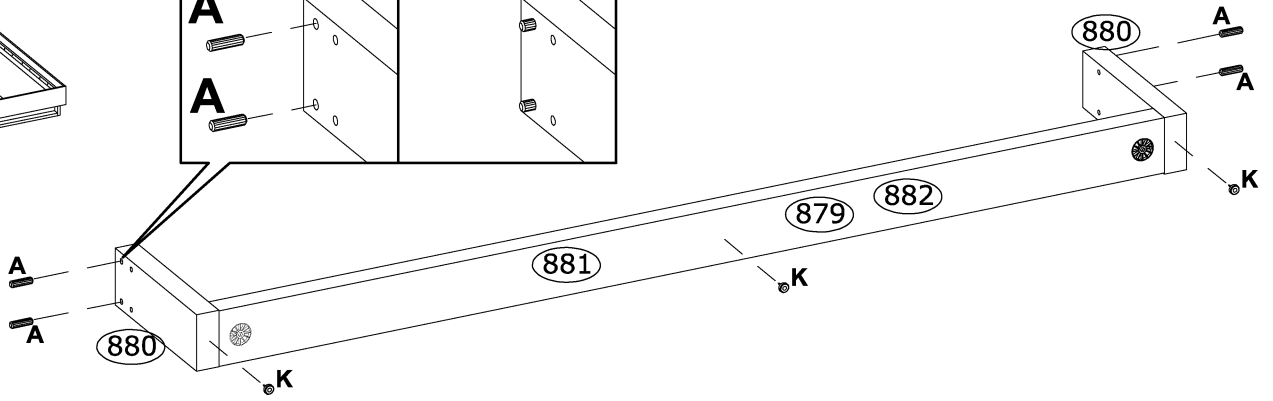
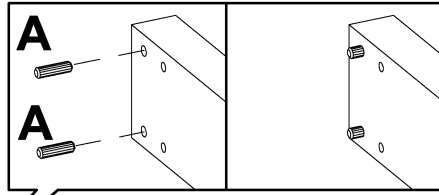
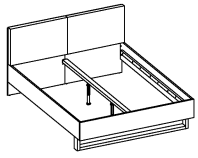
9

<b>G</b>	6 mm
	x1 3985



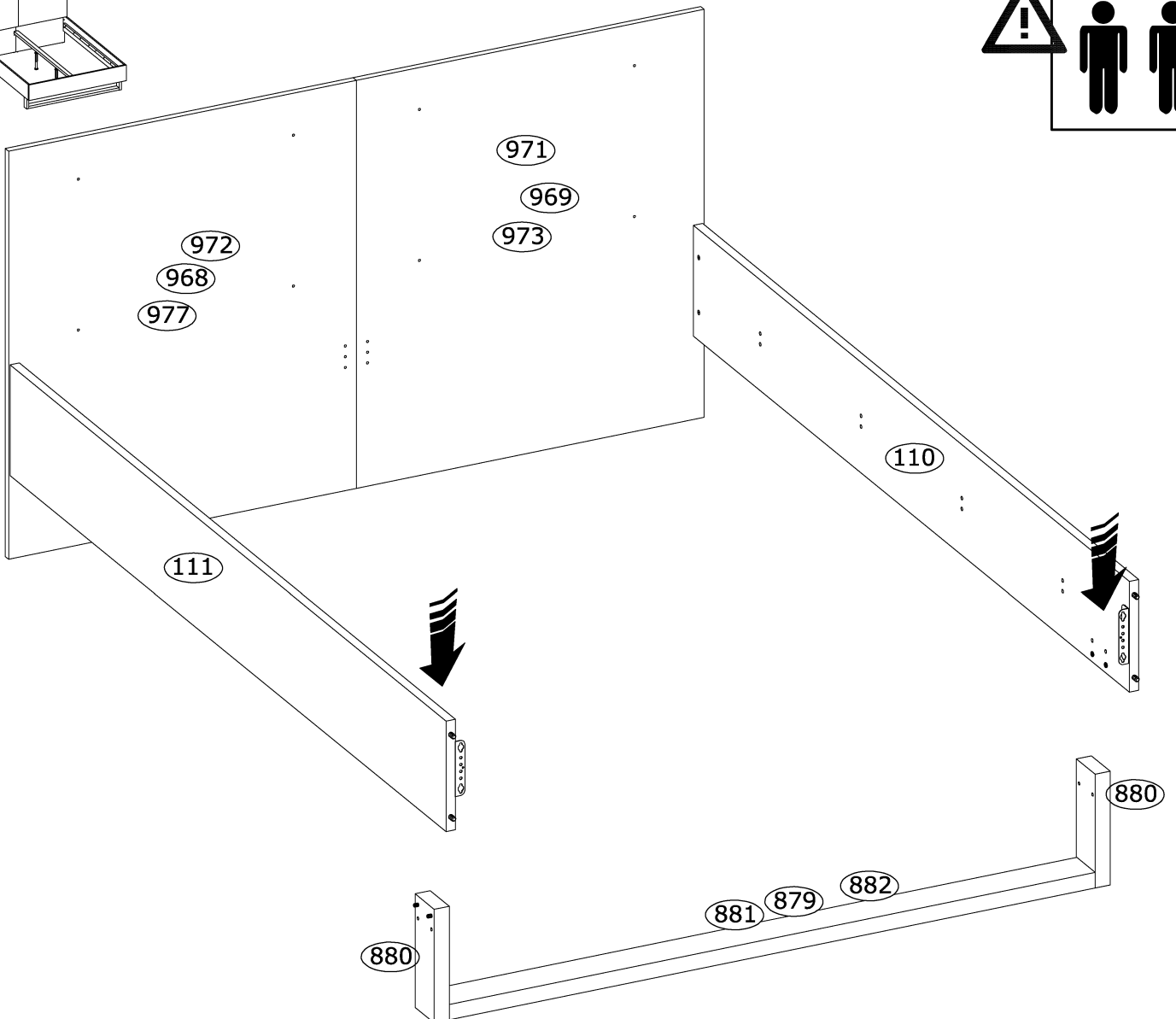
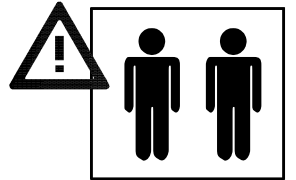
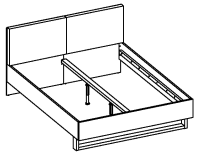
10

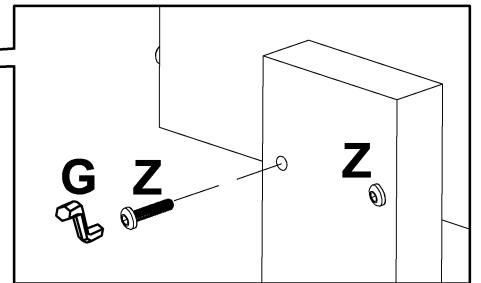
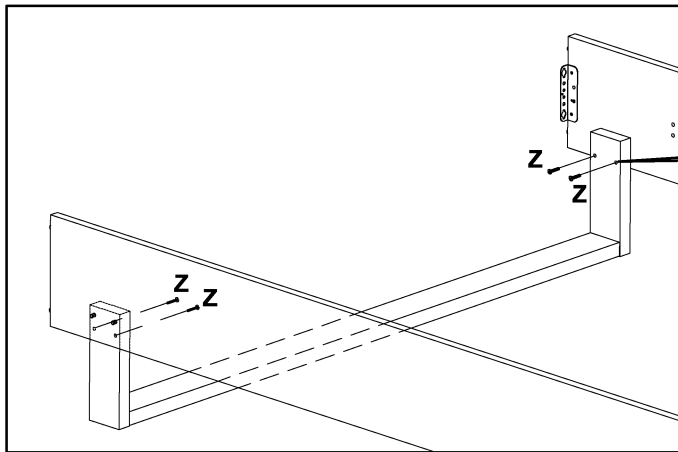
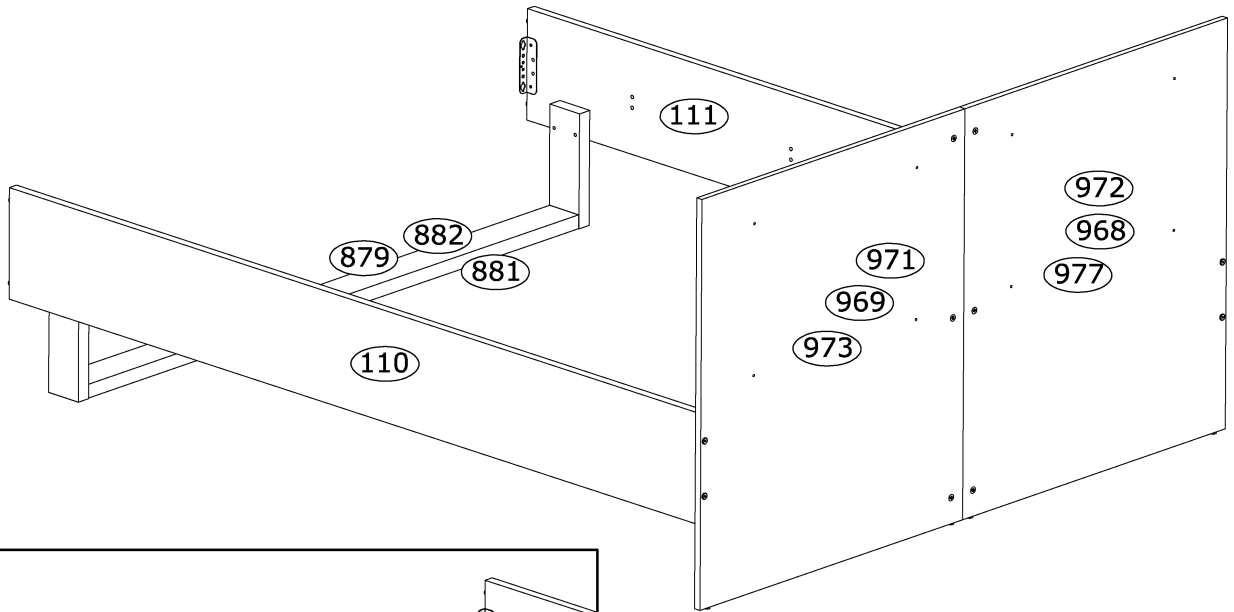
<b>A</b>  Ø8x30 mm x4 3989	<b>K</b>  x3 70313	
---	---	--



11

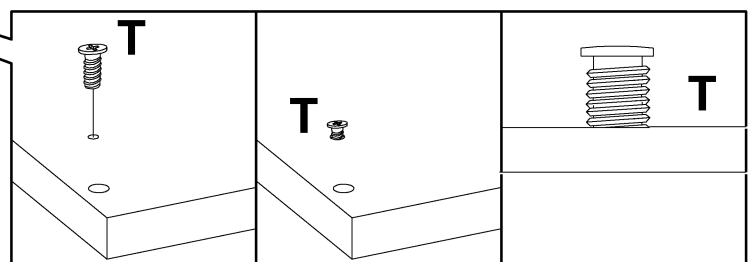
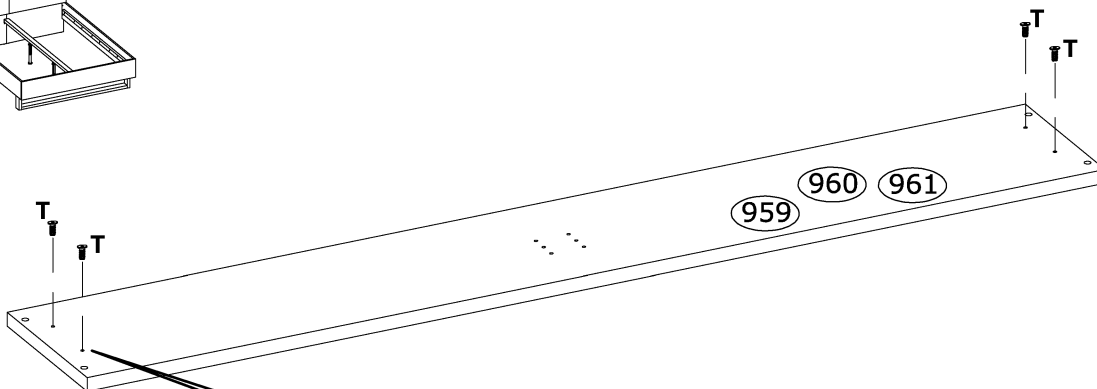
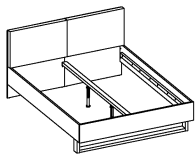
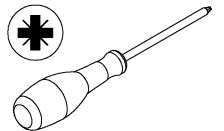
<b>Z</b>  M6x45,0 mm x4 205079	<b>G</b>  6 mm x1 3985	
---	---	--



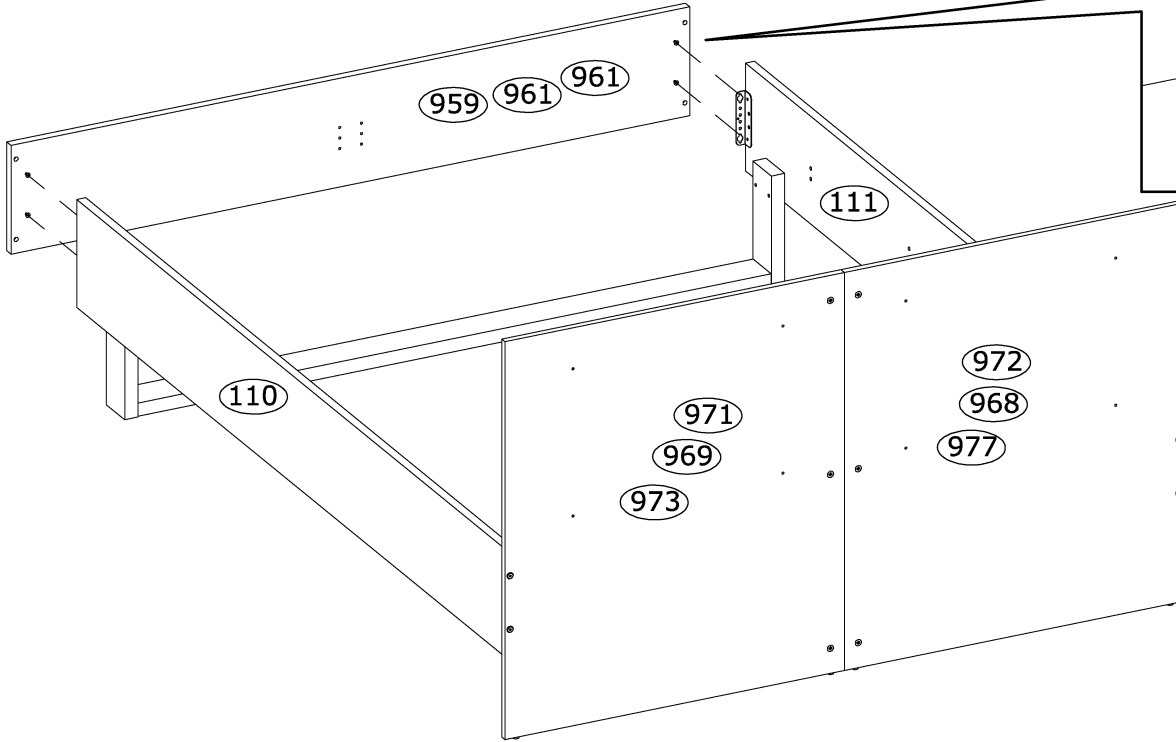
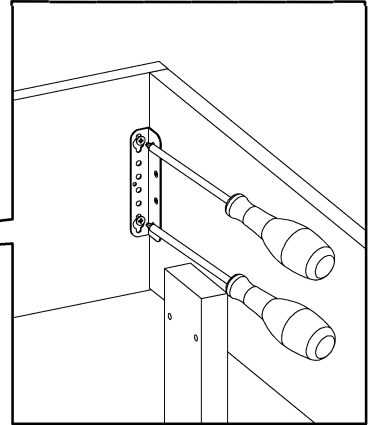
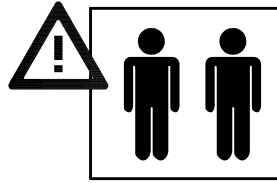
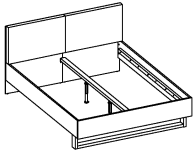
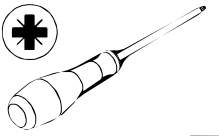


12

T  
 Ø6,3x13 mm  
 x4  
 3880

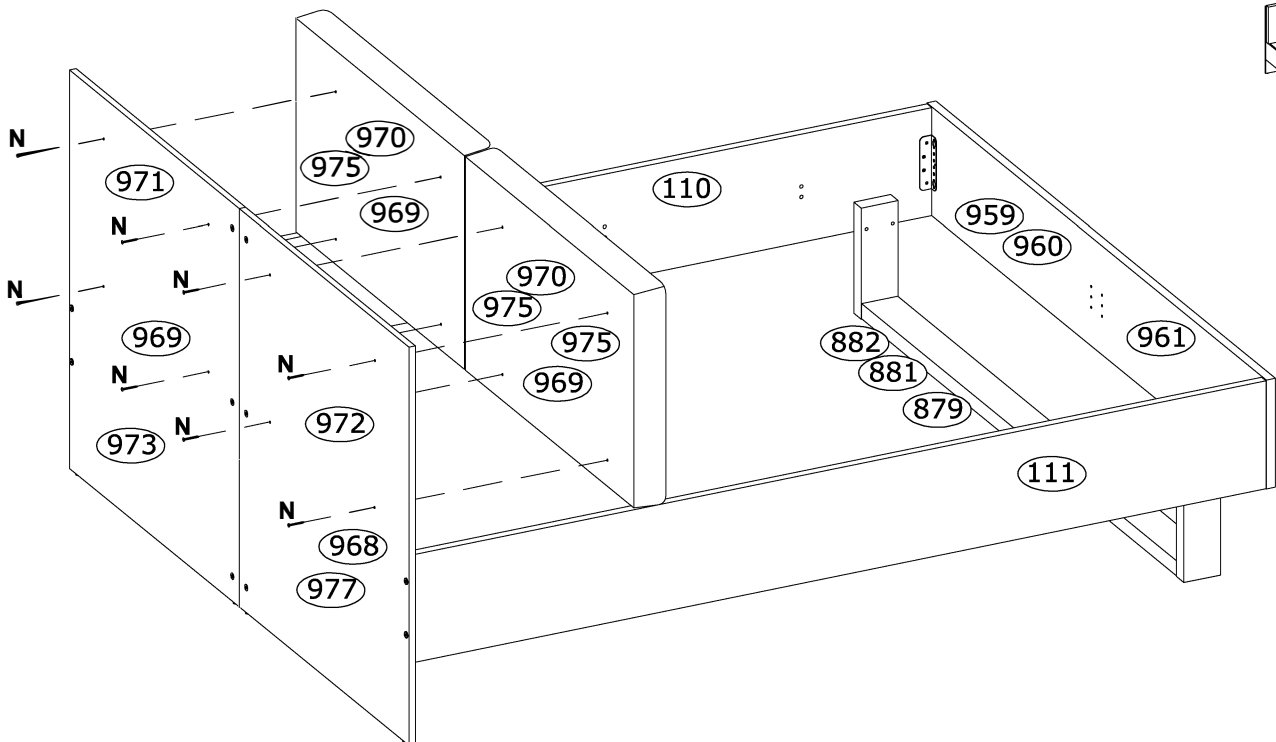
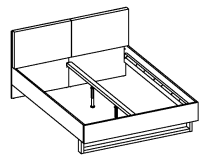
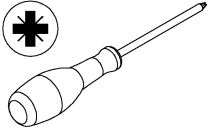


13






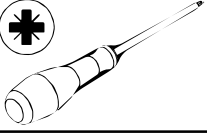


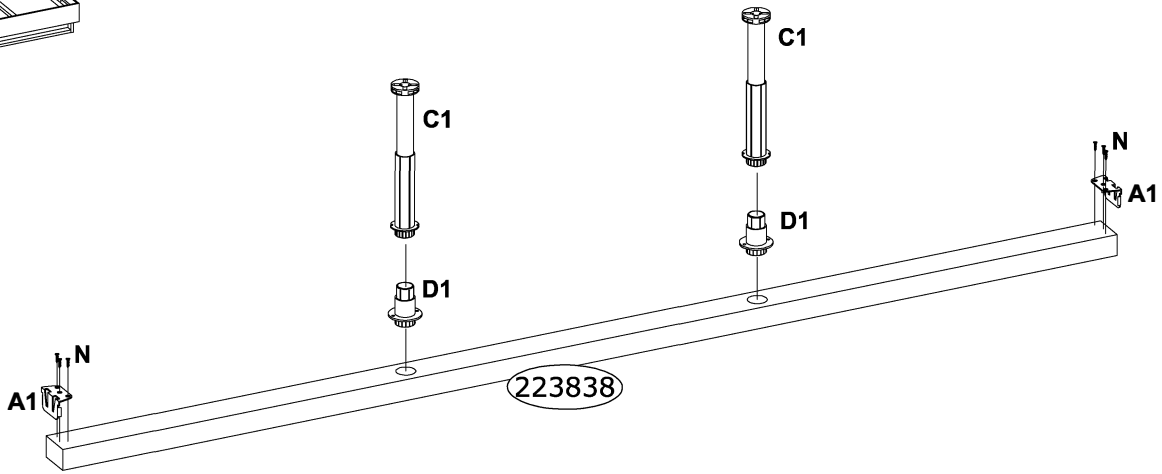
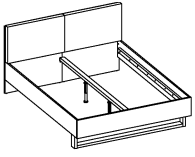
14

N  
Ø4,0x35 mm  
x8  
3895


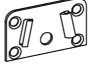




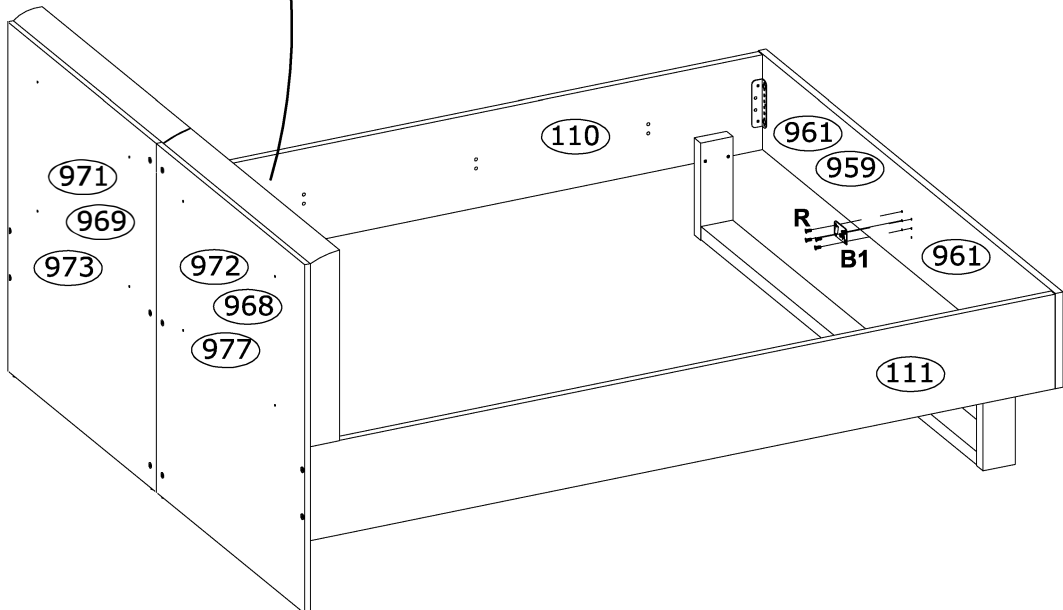
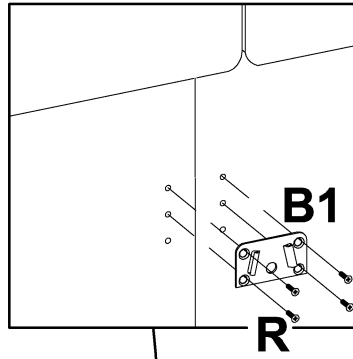
15

<b>A1</b> 69x39x32 mm  x2 4077	<b>N</b> Ø4,0x35 mm  x6 3895	<b>C1</b>  x2 4012	<b>D1</b> 69x40x7 mm  x2 IN01004	 
---	---	--	---	--



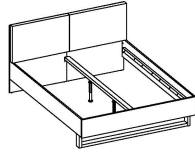
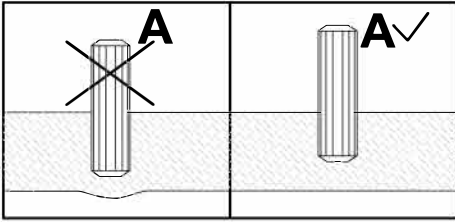
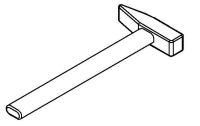
16

<b>R</b> Ø6,3x13 mm  x8 3879	<b>B1</b> 69x40x7 mm  x2 4009	 
---	--	--

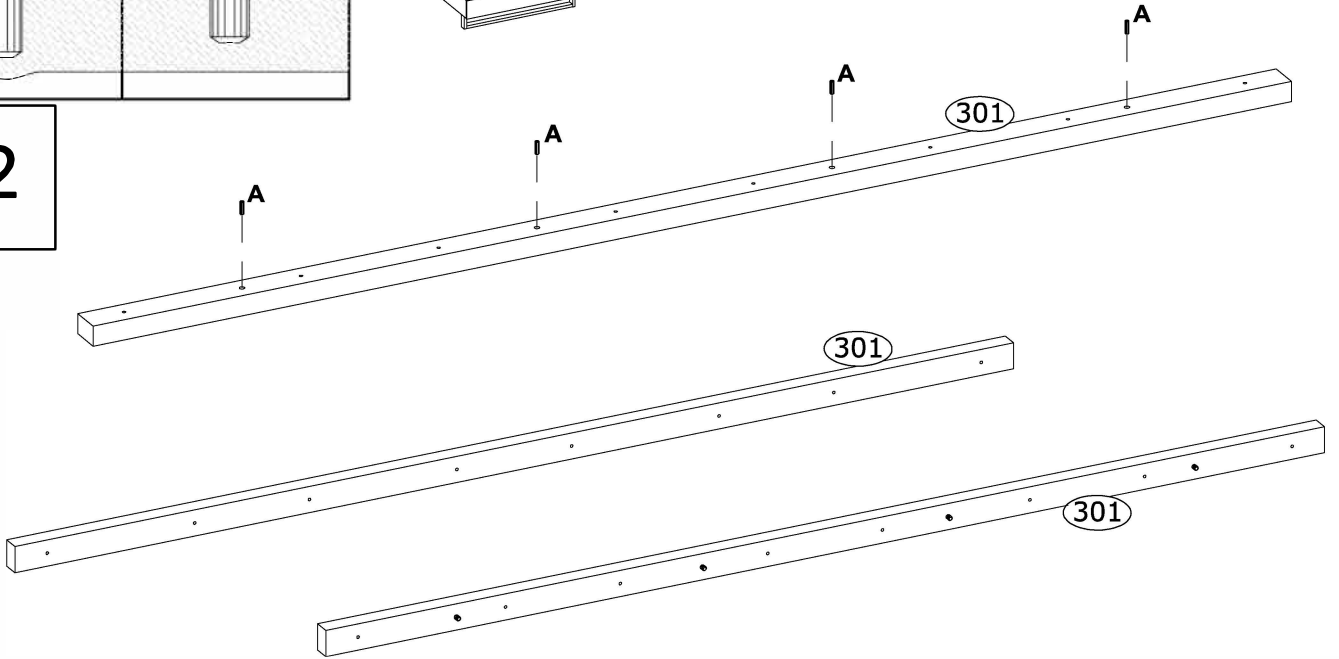


17

A  
Ø8x30 mm  
x8  
3989



x2



18

O  
Ø4,0x45 mm  
x16  
3897

